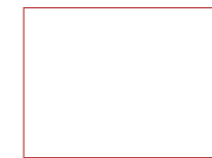


TAHITI CHAIR



POLTRONCINA IMPILABILE IN ALLUMINIO
CON RIVESTIMENTO IN TESSUTO ACRILICO.
CUSCINERIA IN TESSUTO OLEFIN.

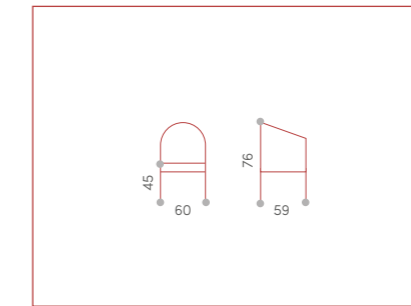
ALUMINIUM STACKABLE ARMCHAIR
COVERED WITH POLYOLEFIN ROPE.
OLEFIN CUSHION.



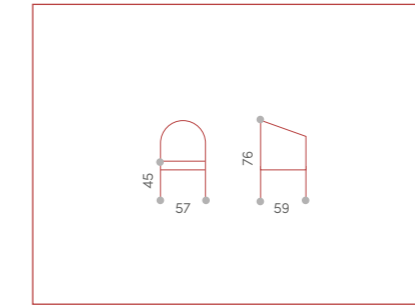
TAHITI CHAIR

APPENA SEDUTI L'AMBIENTAZIONE CAMBIA. IN UN VIAGGIO SPAZIO-TEMPORALE E SENSORIALE CI SI RITROVA IMMEDIATAMENTE CATAPULTATI SU UN'ISOLA ESOTICA E LONTANA. DOVE IL TEMPO È QUASI SOSPESO E SCORRE LENTO SORSEGGIANDO E CHIACCHIERANDO.

AS SOON AS YOU SIT DOWN, THE MOOD CHANGES. IN A SPACE-TIME AND SENSORIAL JOURNEY, YOU IMMEDIATELY FIND YOURSELF CATAPULTED TO AN EXOTIC AND DISTANT ISLAND. WHERE TIME IS ALMOST SUSPENDED AND PASSES SLOWLY, WHILE ENJOYING A DRINK AND CHATTING.



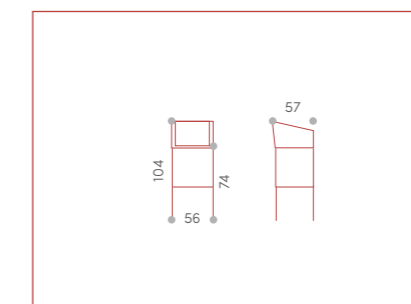
TAHITI CHAIR



TAHITI STOOL

SGABELLI IMPILABILI IN ALLUMINIO CON CUSCINERIA IN TESSUTO OLEFIN E RIVESTIMENTO IN TESSUTO POLYOLEFIN. MATERIALI GRADEVOLI AL TATTO E DALL'ALTO TASSO DI ELEGANZA, DAI COLORI INTENSI E DECISI.

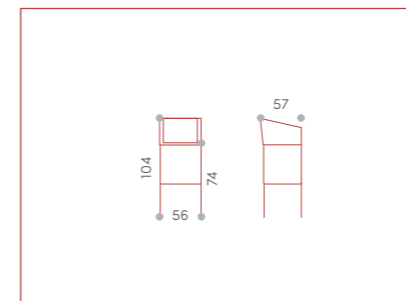
STACKABLE ALUMINIUM STOOLS WITH CUSHIONS MADE OF OLEFIN FABRIC AND UPHOLSTERY MADE OF POLYOLEFIN FABRIC. MATERIALS THAT ARE PLEASANT TO THE TOUCH AND EXTREMELY ELEGANT, WITH INTENSE AND VIBRANT COLOURS.



TAHITI STOOL

POLTRONCINE E SGABELLI IMPILABILI IN ALLUMINIO CON CUSCINERIA IN TESSUTO OLEFIN E RIVESTIMENTO IN TESSUTO POLYOLEFIN. MATERIALI GRADEVOLI AL TATTO E DALL'ALTO TASSO DI ELEGANZA, DAI COLORI INTENSI E DECISI.

STACKABLE ALUMINIUM ARMCHAIRS AND STOOLS WITH CUSHIONS MADE OF OLEFIN FABRIC AND UPHOLSTERY MADE OF POLYOLEFIN FABRIC. MATERIALS THAT ARE PLEASANT TO THE TOUCH AND EXTREMELY ELEGANT, WITH INTENSE AND VIBRANT COLOURS.

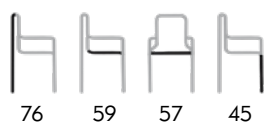




TAHITI ARMCHAIR

Poltroncina impilabile in alluminio con rivestimento in tessuto Polyolefin. Cuscineria in textilene.

Aluminium stackable armchair covered with Polyolefin rope. Textylene cushion.



Kg 6,0

Struttura/Frame	Black	Taupe	Anthracite	White
Corda/Rope	Dark Grey Flat	Silver Grey Flat	Mild Grey Flat	Silver White Flat
Cuscino/Cushion	Mixed Black Text	Taupe Text	Taupe Axroma	Light Grey Olefin



TAHITI STOOL

Sgabello impilabile in alluminio con rivestimento in tessuto Polyolefin. Cuscineria in textilene.

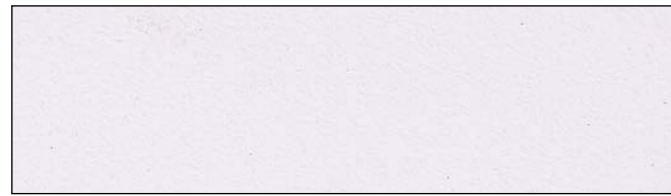
Aluminium stackable barstool covered with Polyolefin rope. Textylene cushion.



Kg 6,5

Struttura/Frame	Black	Taupe	Anthracite	White
Corda/Rope	Dark Grey Flat	Silver Grey Flat	Mild Grey Flat	Silver White Flat
Cuscino/Cushion	Mixed Black Text	Taupe Text	Taupe axroma	Light Grey Olefin

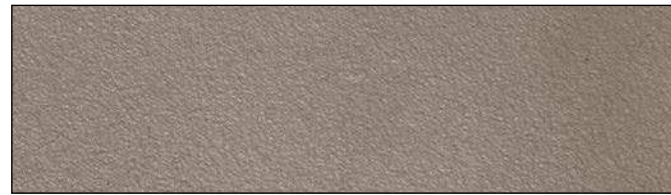
COLORI STRUTTURE FRAME SAMPLES



ALU WHITE



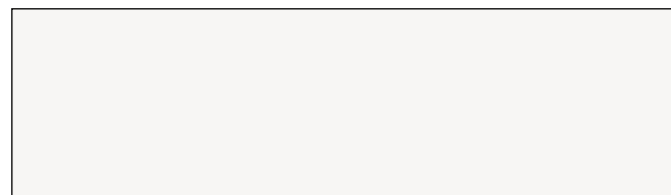
ALU ANTHRACITE



ALU TAUPE



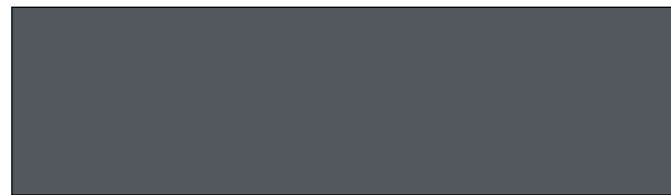
ALU BLACK



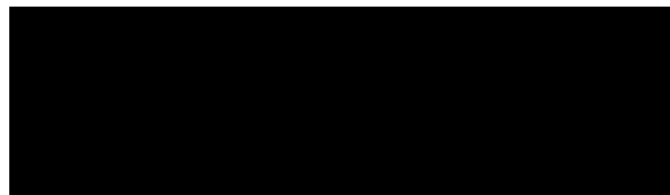
PP WHITE



PP OLIVE GREEN



PP ANTHRACITE



PP BLACK

TESSUTI TEXTILENE TEXTILENE FABRICS



WHITE



LIGHT GREY



CHAMPAGNE



TAUPE



MIXED BLACK



BLACK

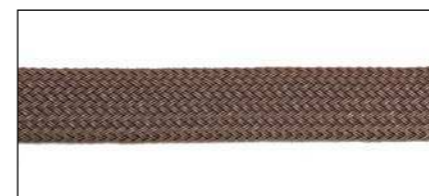


BLACK/GOLD

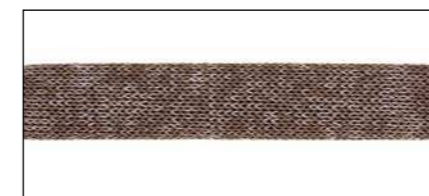


SILVER BLACK

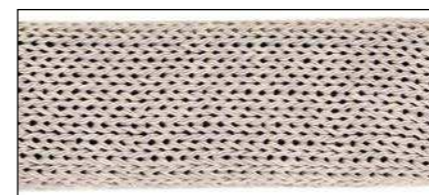
CORDE TEXTILENE TEXTILENE ROPES



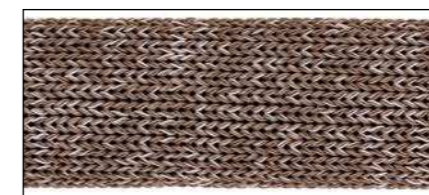
TAUPE 14 mm



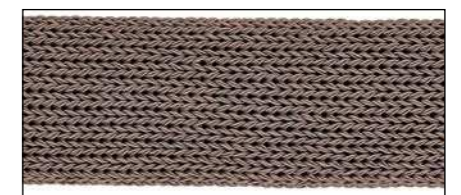
MIXED BROWN 14 mm



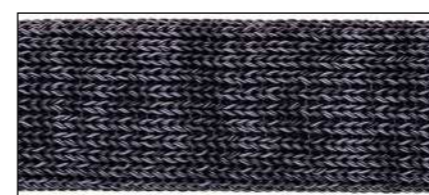
BEIGE 30 mm



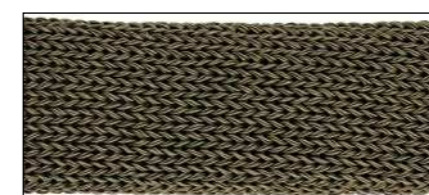
MIXED BROWN 30 mm



TAUPE 30 mm



DARK GREY 30 mm



DARK GREEN 30 mm

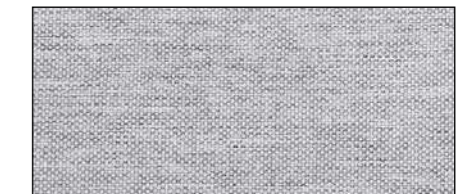
CAMPIONI TESSUTO FABRIC SAMPLES



CHAMPAGNE OLEFIN



BROWN OLEFIN



LIGHT GREY OLEFIN



DARK GREY OLEFIN



BEIGE OLEFIN



GREY OLEFIN



LEAD CHINE



FLANELLE