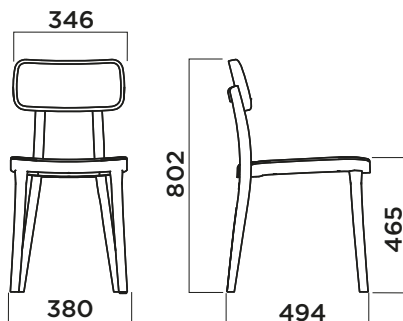


PORTA VENEZIA chair
5028-WLGP
Design Dorigo Design



FRAME

TELAIO
BASTIDOR

Solid beech wood frame

Telaio in faggio massello
Bastidor de haya maciza



FGVPN



FGTA04



FGLP06G

SEAT AND BACKREST

SEDUTA E SCHIENALE
ASIENTO Y RESPALDO

Polypropylene + Talc

Polipropilene + Talco
Polipropileno + Talco



S001



S020



S021



S513



S022

FEET

PIEDINI
PIES DE APOYO

Polypropylene

Polipropilene
Polipropileno

CERTIFICATIONS

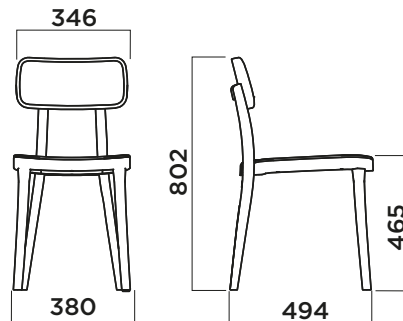
CERTIFICAZIONI
CERTIFICADOS



PORTA VENEZIA upholstered seat panel

5028-WLGS

Design Dorigo Design



FRAME

TELAIO
BASTIDOR

Solid beech wood frame

Telaio in faggio massello

Bastidor de haya maciza



FGVPN



FGTA04



FGLP06G

SEAT AND BACKREST

SEDUTA E SCHIENALE
ASIENTO Y RESPALDO

Polypropylene + Talc.

Polipropilene + Talco

Polipropileno + Talco.



S001



S020



S021



S513



S022

UPHOLSTERY

TAPPEZZERIA
TAPIZADOS

Upholstered seat panel

Pannello tappezzato

Panel de asiento tapizado

- A** Flash, Byte
- B** Eco Leather
- C** Patina, Step, Step Melange, Reflect ♻️
- D** Revive ♻️
- E** Field, Oceanic ♻️, Yoredale
- F** Canvas2, Glow, Steelcut Trio
- G** Divina3, Divina Melange, Fiord, Harald, Planum, Patio
- H** Full Leather

FEET

PIEDINI
PIES DE APOYO

Polypropylene

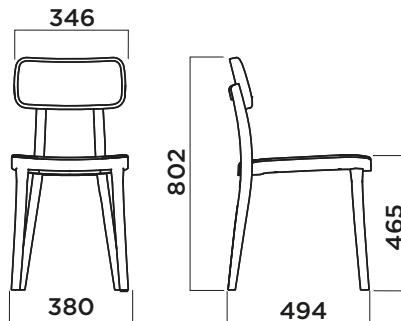
Polipropilene

Polipropileno

PORTA VENEZIA upholstered

5028-WLGT

Design Dorigo Design



FRAME

TELAIO
BASTIDOR

Solid beech wood frame

Telaio in faggio massello

Bastidor de haya maciza



FGVPN



FGTA04



FGLP06G

SEAT AND BACKREST

SEDUTA E SCHIENALE
ASIENTO Y RESPALDO

Polypropylene + Talc.

Polipropilene + Talco

Polipropileno + Talco.



S001



S020



S021



S513



S022

UPHOLSTERY

TAPPEZZERIA
TAPIZADOS

Full upholstered

Full upholstered

Full upholstered

- A** Flash, Byte
- B** Eco Leather
- C** Patina, Step, Step Melange, Reflect ♻️
- D** Revive ♻️
- E** Field, Oceanic ♻️, Yoredale
- F** Canvas2, Glow, Steelcut Trio
- G** Divina3, Divina Melange, Fiord, Harald, Planum, Patio
- H** Full Leather

FEET

PIEDINI
PIES DE APOYO

Polypropylene

Polipropilene

Polipropileno