

FOLDING LEGS SYSTEM

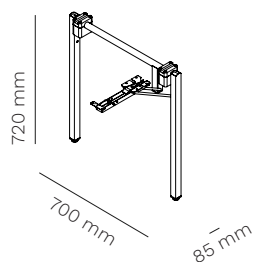
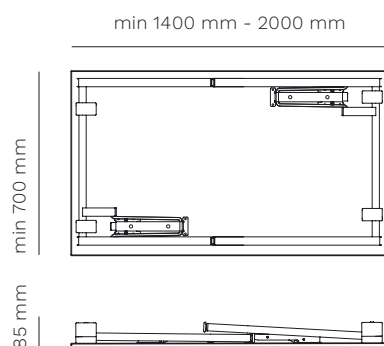
TP78

DESCRIPTION / DESCRIZIONE

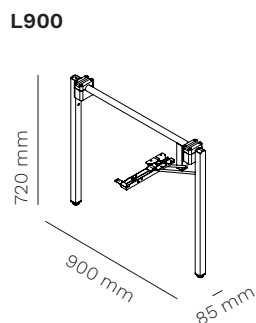
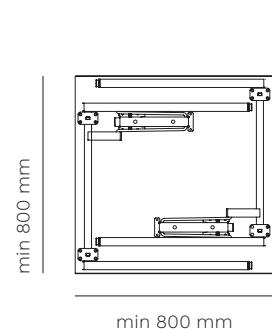
en Dynamism and versatility inevitably contribute to the experience of the surrounding space. Handy and practical folding legs designed for multi-function environments where frequent changes in layout and organisation are required. Folding systems entirely in steel, which can be combined with legs of different shapes and sizes, equipped with special rubber supports that prevent the movement of the tables when stacked and damages to the top.

it Dinamismo e versatilità contribuiscono inevitabilmente all'esperienza dello spazio circostante. Gambe pieghevoli maneggevoli e pratiche pensate per gli ambienti multi- funzione in cui sono richiesti frequenti cambiamenti nella disposizione ed organizzazione.

Sistemi di chiusura interamente in acciaio, abbinabili a gambe dalle diverse forme e dimensioni, dotati di appositi appoggi in gomma che evitano il movimento dei tavoli quando sono impilati e il danneggiamento del piano.



stackable
impilabile



FOLDING LEGS SYSTEM

TP78

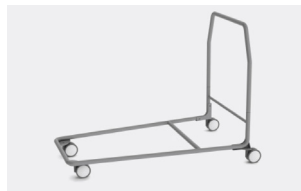
ACCESSORIES / ACCESSORI



plastic blocks with reinforcement metal bars
blocchetti con travi di rinforzo in metallo



trolley
carrello



trolley
carrello



kit 2 extension bars for top
Kit due prolunghe per piano



FRAME / STRUTTURA

powder coated steel
acciaio verniciato



296
textured
raggrinzato
RAL 9010



301
textured
raggrinzato
RAL 7044



444
textured
raggrinzato
RAL 8004



700
textured
raggrinzato
RAL 7000



203
textured
raggrinzato
RAL 6003



chromed steel
acciaio cromato

eco chrome
cromo ecologico



111
textured
raggrinzato
RAL 5011



333
textured
raggrinzato
RAL 3003



131
textured
raggrinzato
RAL 9006



148
textured
raggrinzato
RAL 7016



120
textured
raggrinzato
RAL 9005

FOLDING LEGS SYSTEM

TP78

TOP / PIANO

standard colour and material effect laminate tops

piani standard in laminato colore ed effetto materico



white
bianco



magnolia



light grey
grigio
chiaro



anthracite
antracite



black
nero



white marble
marmo
bianco



grey marble
marmo
grigio



graphite marble
marmo
grafite



black marble
marmo
nero



whitened oak
rovere
sbiancato



natural oak
rovere
naturale



grey oak
rovere
grigio



black oak
rovere
nero



walnut
noce



rose
rose



yellow
giallo



light blue
azzurro



green
verde

STANDARDS AND CERTIFICATES / NORME E CERTIFICATI

Dimensional tolerance related to the thickness $\pm 0,3$ mm • Dimensional tolerance related to the sizes $\pm 5,0$ mm • Resistance to scratching EN 438-2:2016 Class 3 • Resistance to staining EN 438-2:2016 Group 1 e 2: Class ≥ 4 Group 3: Class ≥ 4 • Resistance to dry heat (160°C/20') - EN 438-2 Class 4 • Lightfastness (xenon arc) EN 438-2 Grayscale classification ≥ 4

• Resistance to steam EN 438-2 Class 4 • Resistance to surface wear EN 438-2 Rotation value IP ≥ 150 • Resistance to damp heat (100°C/20') - EN 438-2 Class 4

standard colour and wood melamine tops

piani standard in nobilitato colore e legno



white
bianco



magnolia



light grey
grigio
chiaro



anthracite
antracite



black
nero



whitened oak
rovere
sbiancato



natural oak
rovere
naturale



grey oak
rovere
grigio



black oak
rovere
nero



walnut
noce

STANDARDS AND CERTIFICATES / NORME E CERTIFICATI

Dimensional tolerance related to the sizes $\pm 5,0$ mm • Resistance to scratching 1,5 N • Resistance to cigarette burning 3 grade - moderate change in gloss level and/or moderate brown spots • Resistance to surface wear Rotation value IP < 50 Rotation value WR < 150 • Risk of breakage ≥ 3 group • Dimensional tolerance related to the thickness $15 \leq X \leq 20$ mm : $\pm 0,3$ mm X < 20 mm : $\pm 0,5$ mm • Resistance to staining ≥ 3 group

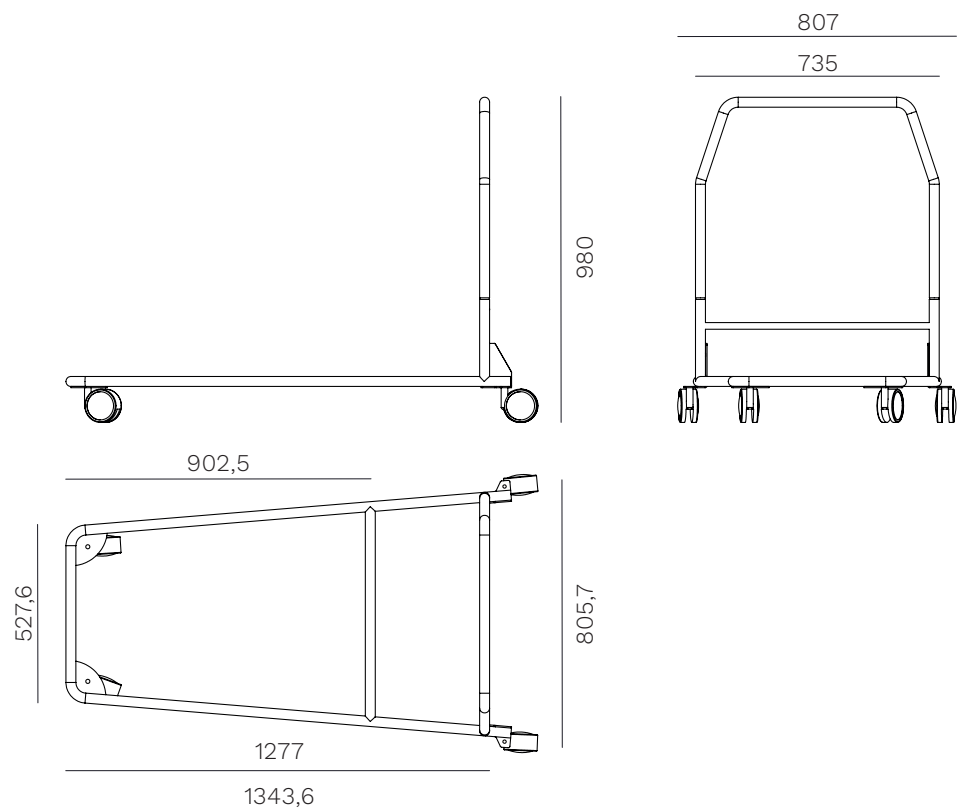
• Resistance to steam 4 grade - moderate change in gloss level and/or color • Surface imperfections Prolate imperfections: < 20 mm/m Punctiform imperfections: < 2 mm²/m² • Lightfastness (xenon arc) > 6 group

TROLLEY CARRELLO

DESCRIPTION / DESCRIZIONE

en Steel trolley with 4 castors of Ø 100 mm diameter for transporting tables and folding legs.

it Carrello in acciaio con 4 ruote di Ø 100 mm per il trasporto di tavoli e gambe pieghevoli.

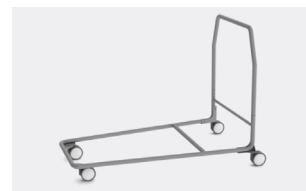


All measurements are indicated in mm
Tutte le misure sono indicate in mm

AVAILABLE FINISHES / FINITURE DISPONIBILI

powder coated steel
acciaio verniciato

				
296 textured raggrinzato RAL 9010	301 textured raggrinzato RAL 7044	444 textured raggrinzato RAL 8004	700 textured raggrinzato RAL 7000	203 textured raggrinzato RAL 6003
				
111 textured raggrinzato RAL 5011	333 textured raggrinzato RAL 3003	131 textured raggrinzato RAL 9006	148 textured raggrinzato RAL 7016	120 textured raggrinzato RAL 9005

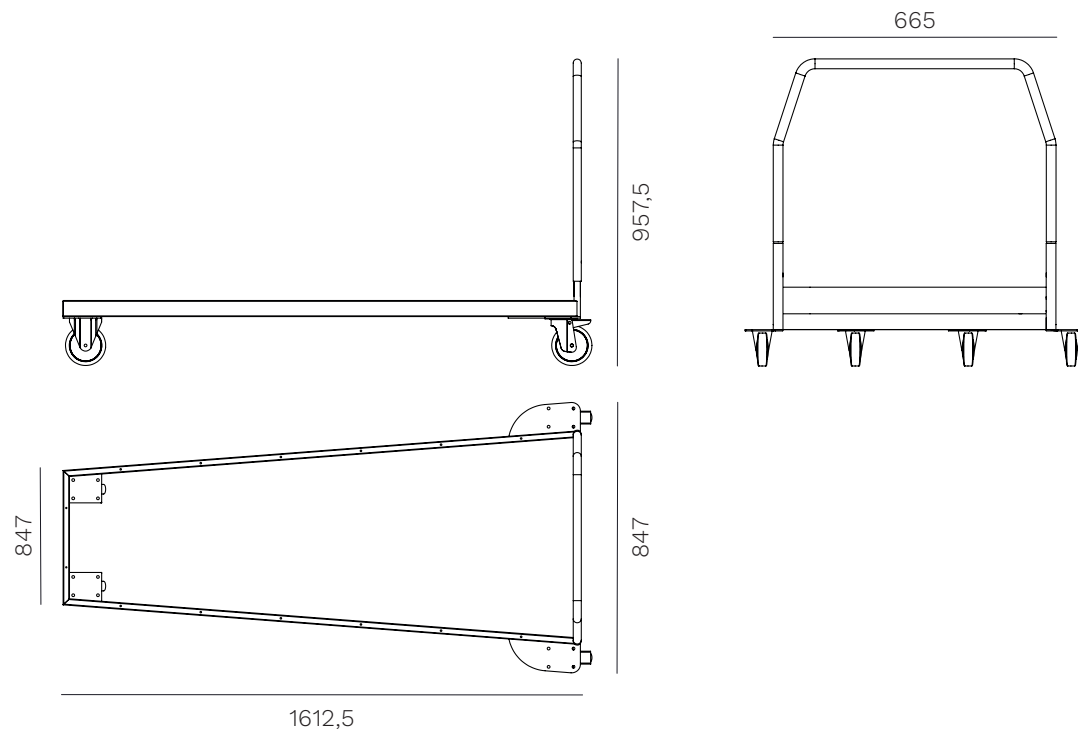


TROLLEY CARRELLO

DESCRIPTION / DESCRIZIONE

en Steel trolley with 4 castors of Ø 125 mm diameter for transporting tables and folding legs.

it Carrello in acciaio con 4 ruote di Ø 125 mm per il trasporto di tavoli e gambe pieghevoli.



All measurements are indicated in mm
Tutte le misure sono indicate in mm

AVAILABLE FINISHES / FINITURE DISPONIBILI

powder coated steel
acciaio verniciato

				
296 textured raggrinzato RAL 9010	301 textured raggrinzato RAL 7044	444 textured raggrinzato RAL 8004	700 textured raggrinzato RAL 7000	203 textured raggrinzato RAL 6003
				
111 textured raggrinzato RAL 5011	333 textured raggrinzato RAL 3003	131 textured raggrinzato RAL 9006	148 textured raggrinzato RAL 7016	120 textured raggrinzato RAL 9005

